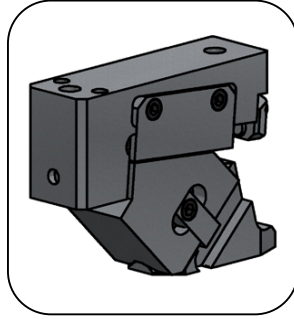


## General information



**ASDR 0052**

- Aerial cam.
- Angles from 0° to 50° with increments of 5°.
- "V" shaped sliding for auto-centered.
- Compact design.
- Longer stroke than ATFA 52.

**ASDR**

Aerial cam for pierce

**AZOL  
GAS** 

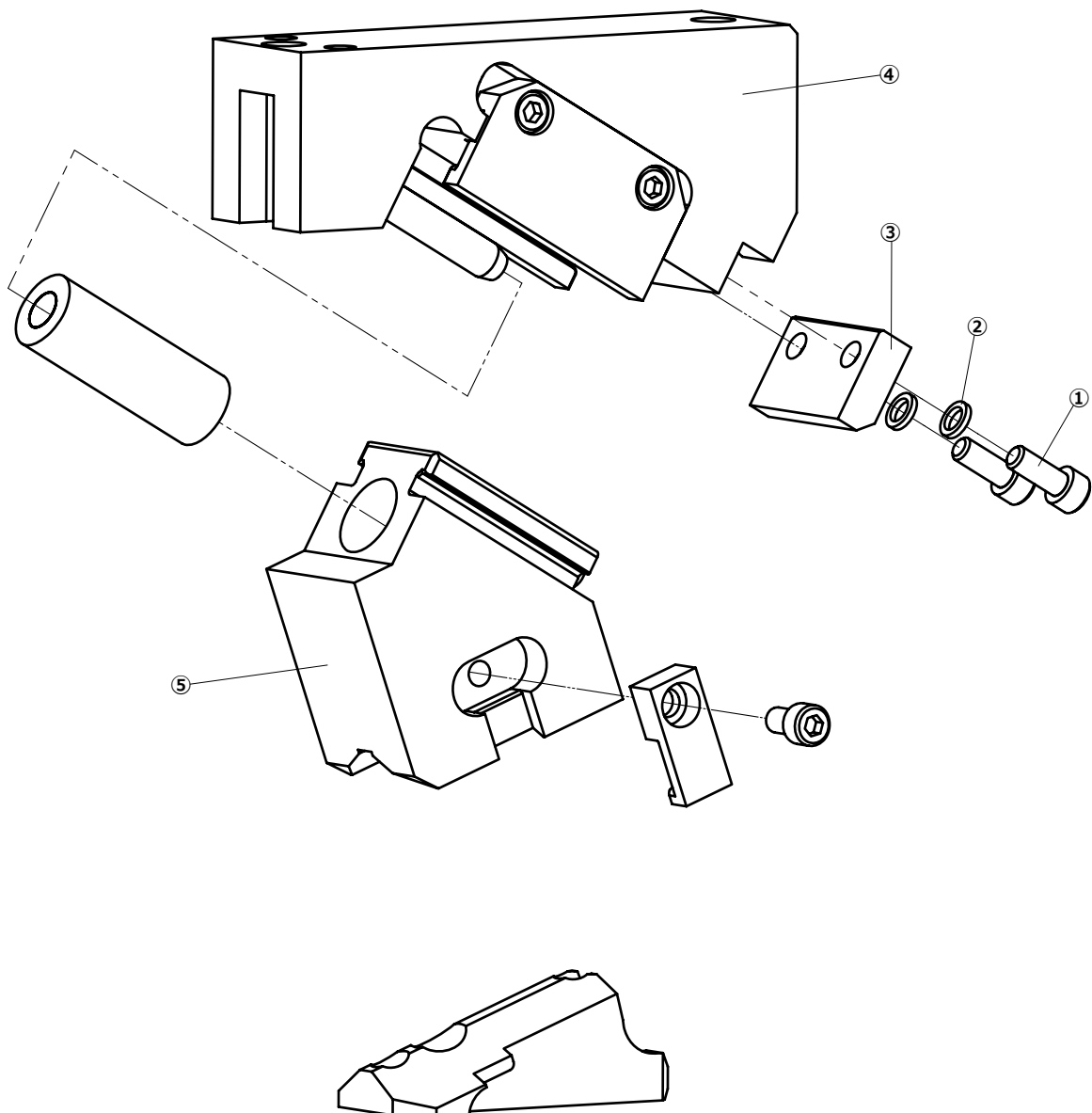
## Assembling and disassembling

### Disassembling process

- Unscrew ① pieces with washers ② and then stopper plate ③.
- Remove cam slider ⑤ from cam support ④.

### Assembling process

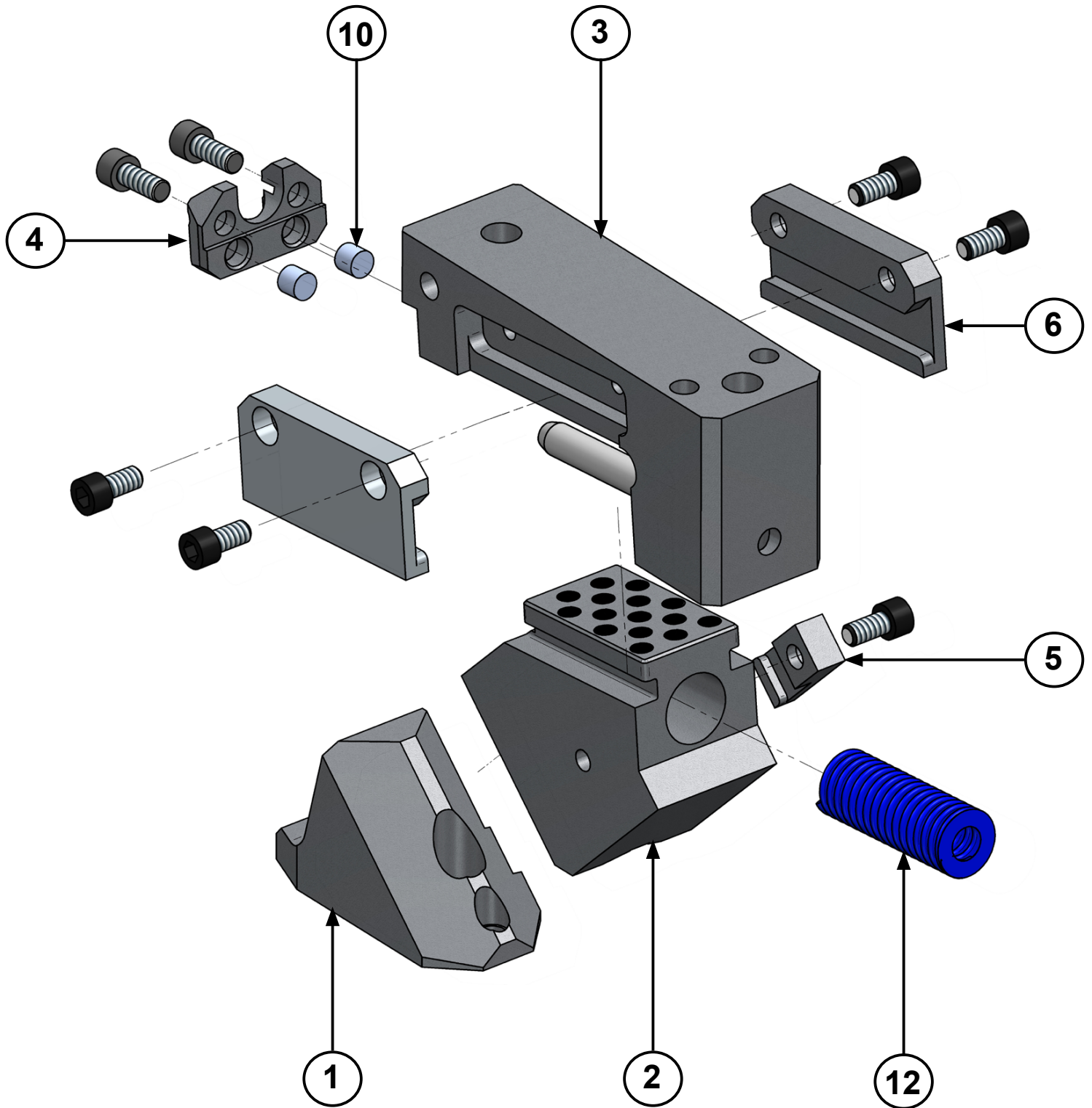
- Make sure that there are no metal shaving or impurities.
- The clearance between the cam holder and slider is controlled.
- Match the serial numbers marked in each part before assembly.
- Make sure that all the screws have been used.





# ASDR 0052

*Aerial cam for pierce*

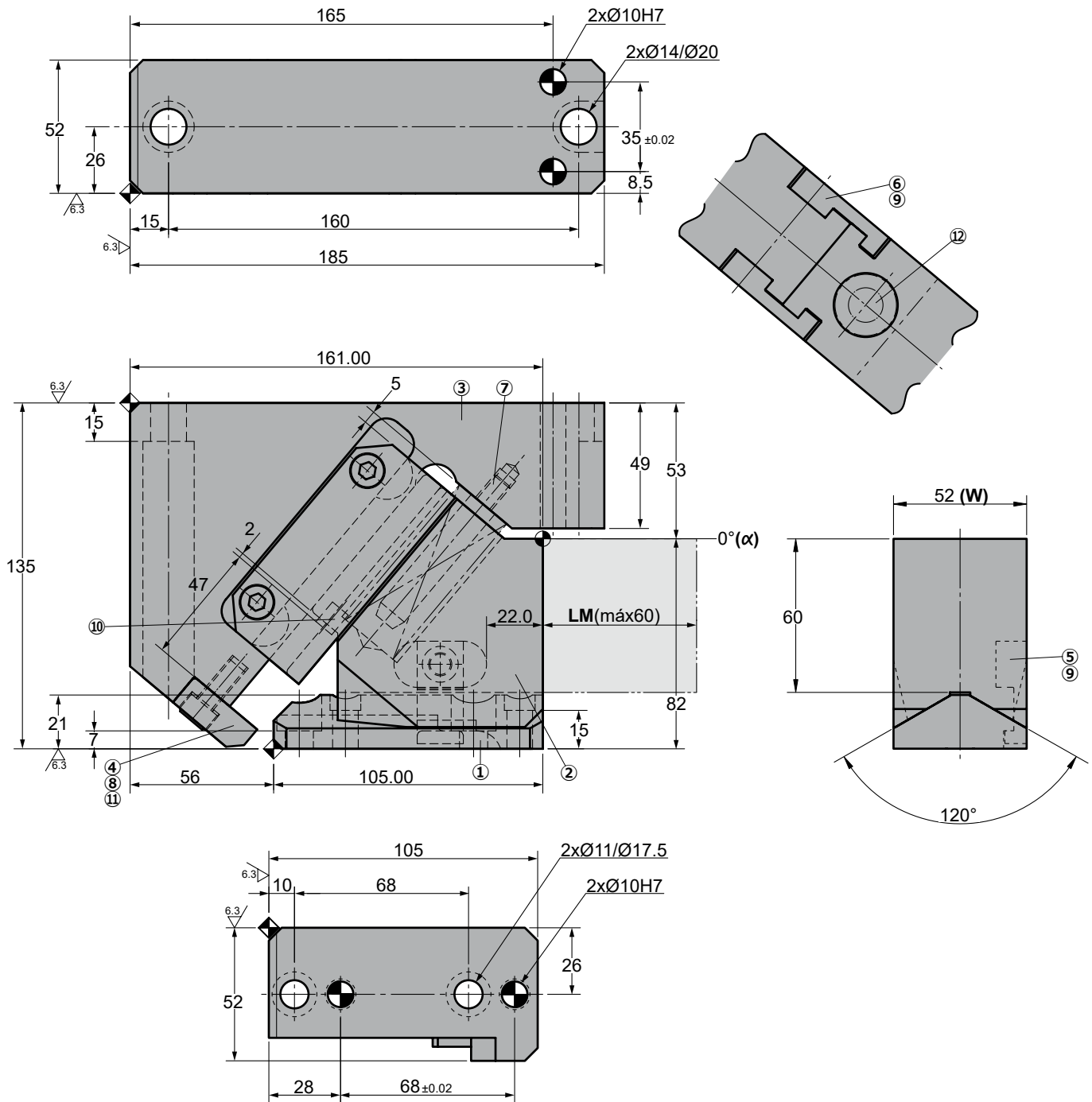


# ASDR 0052

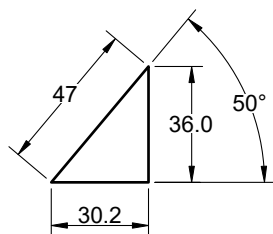
Aerial cam for pierce



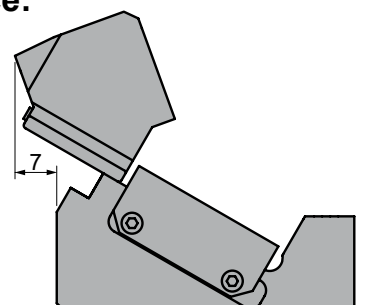
## ASDR 0052 00



◦Cam diagram:



◦Disassembling space:





# ASDR 0052

Aerial cam for pierce

Stroke (mm)	Working force kN - (tons)		Spring Force N - (kgf)		Weight (Kg)	Model	W (mm)	$\alpha$ (mm)
	(1 Million Strokes)	(300.000 Strokes)	Initial F <sub>0</sub>	Final F <sub>1</sub>				
30.2	14.7 (1.5)	29.4 (3.0)	0	901.6 (91.9)	6.4	<b>ASDR</b>	<b>0052</b>	<b>00</b>



Order: Model (W) ( $\alpha$ )  
**ASDR 0052 00**

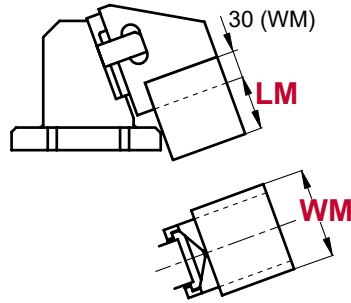
Standard order example according to catalog sheet. Add options applying options table contents.

## OPTIONS

### LM - WM MOUNT

**LM** Extensible slider mount from 1 to 60 mm (increments of 1 mm). e.g. LM50

**WM** Mount width changed to 65m. e.g. WM65



### Order Options: Model (W) ( $\alpha$ )-Option



**ASDR 0052 00-LM35**

**ASDR 0052 00-WM**

**ASDR 0052 00-LM35-WM**



### SPARE PARTS:

⑫ Coil Spring

## COMPONENTS

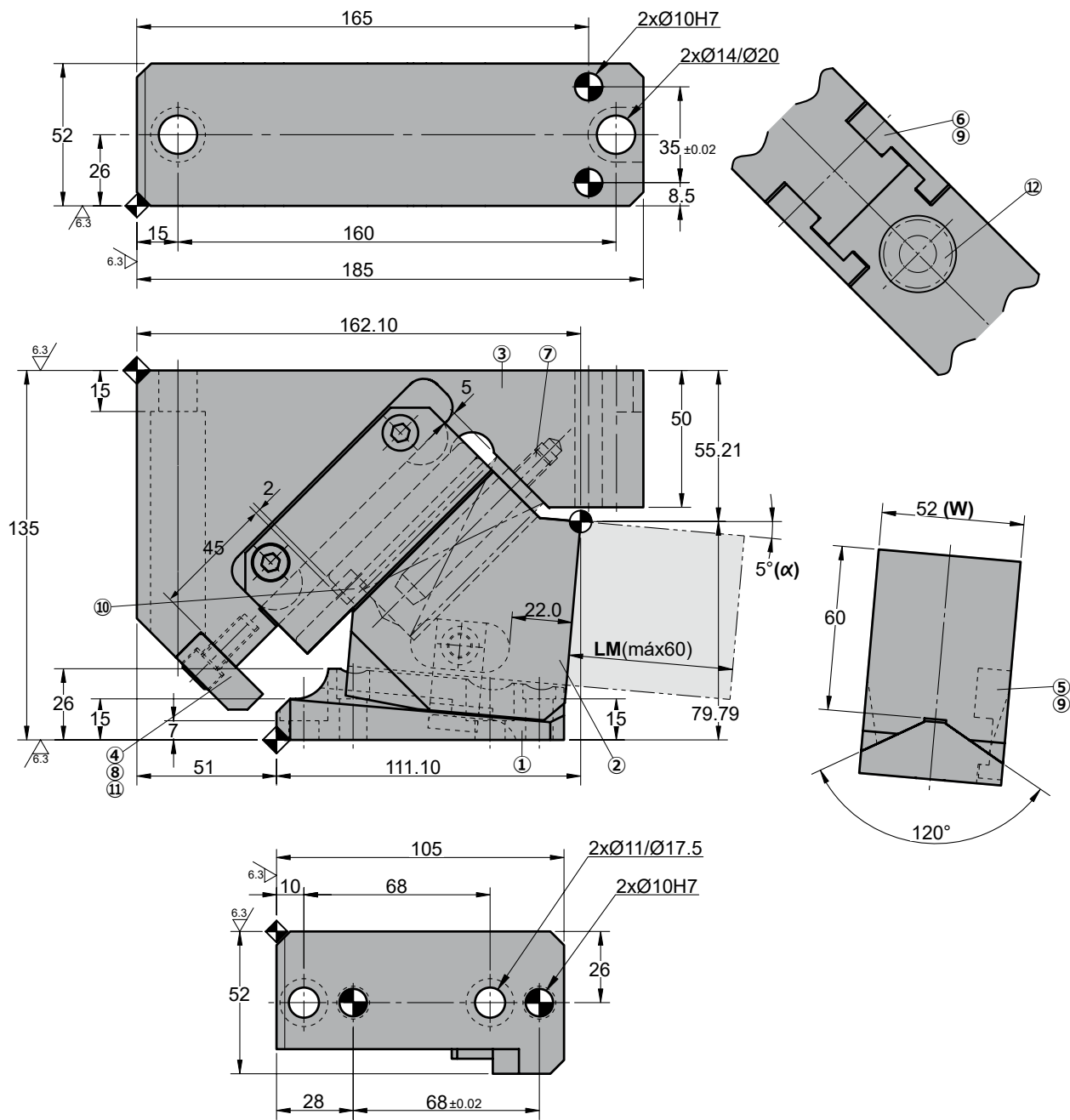
No.	Description	Qty.	Material
①	Cam Driver	1	GGG50
②	Cam Slider	1	GGG50 + G
③	Cam Holder	1	GGG50
④	Stopper Plate	1	CK45
⑤	Positive Return	1	CK45
⑥	Positive Return	2	CK45 + G
⑦	Spring Guide Pin	1	CK45
⑧	Screw	2	M8 x 20
⑨	Screw	5	M8 x 15
⑩	Stopper	2	Urethane
⑪	Washer	2	M8
⑫	Coil Spring	1	TJL25-115

# ASDR 0052

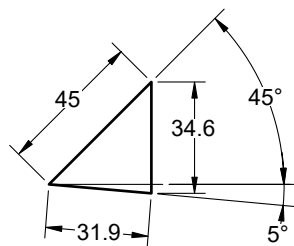
Aerial cam for pierce



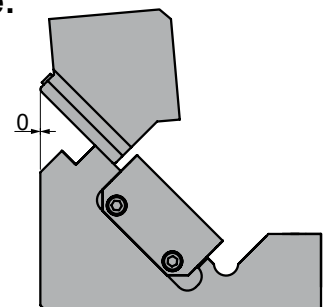
## ASDR 0052 05



◦Cam diagram:



◦Disassembling space:





# ASDR 0052

Aerial cam for pierce

Stroke (mm)	Working force kN - (tons)		Spring Force N - (kgf)		Weight (Kg)	Model	W (mm)	$\alpha$ (mm)
	(1 Million Strokes)	(300.000 Strokes)	Initial F <sub>0</sub>	Final F <sub>1</sub>				
31.9	14.7 (1.5)	29.4 (3.0)	19.6 (2.0)	901.6 (91.9)	6.1	<b>ASDR</b>	<b>0052</b>	<b>05</b>



Order: **Model (W) ( $\alpha$ )**  
**ASDR 0052 05**

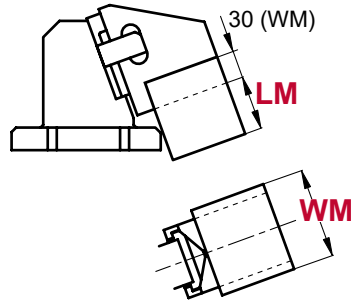
Standard order example according to catalog sheet. Add options applying options table contents.

## OPTIONS

### LM - WM MOUNT

**LM** Extensible slider mount from 1 to 60 mm (increments of 1 mm). e.g. LM50

**WM** Mount width changed to 65m. e.g. WM65



### Order Options: Model (W) ( $\alpha$ )-Option



**ASDR 0052 05-LM35**  
**ASDR 0052 05-WM**  
**ASDR 0052 05-LM35-WM**



### SPARE PARTS:

⑫ Coil Spring

## COMPONENTS

No.	Description	Qty.	Material
①	Cam Driver	1	GGG50
②	Cam Slider	1	GGG50 + G
③	Cam Holder	1	GGG50
④	Stopper Plate	1	CK45
⑤	Positive Return	1	CK45
⑥	Positive Return	2	CK45 + G
⑦	Spring Guide Pin	1	CK45
⑧	Screw	2	M8 x 20
⑨	Screw	5	M8 x 15
⑩	Stopper	2	Urethane
⑪	Washer	2	M8
⑫	Coil Spring	1	TJL25-115

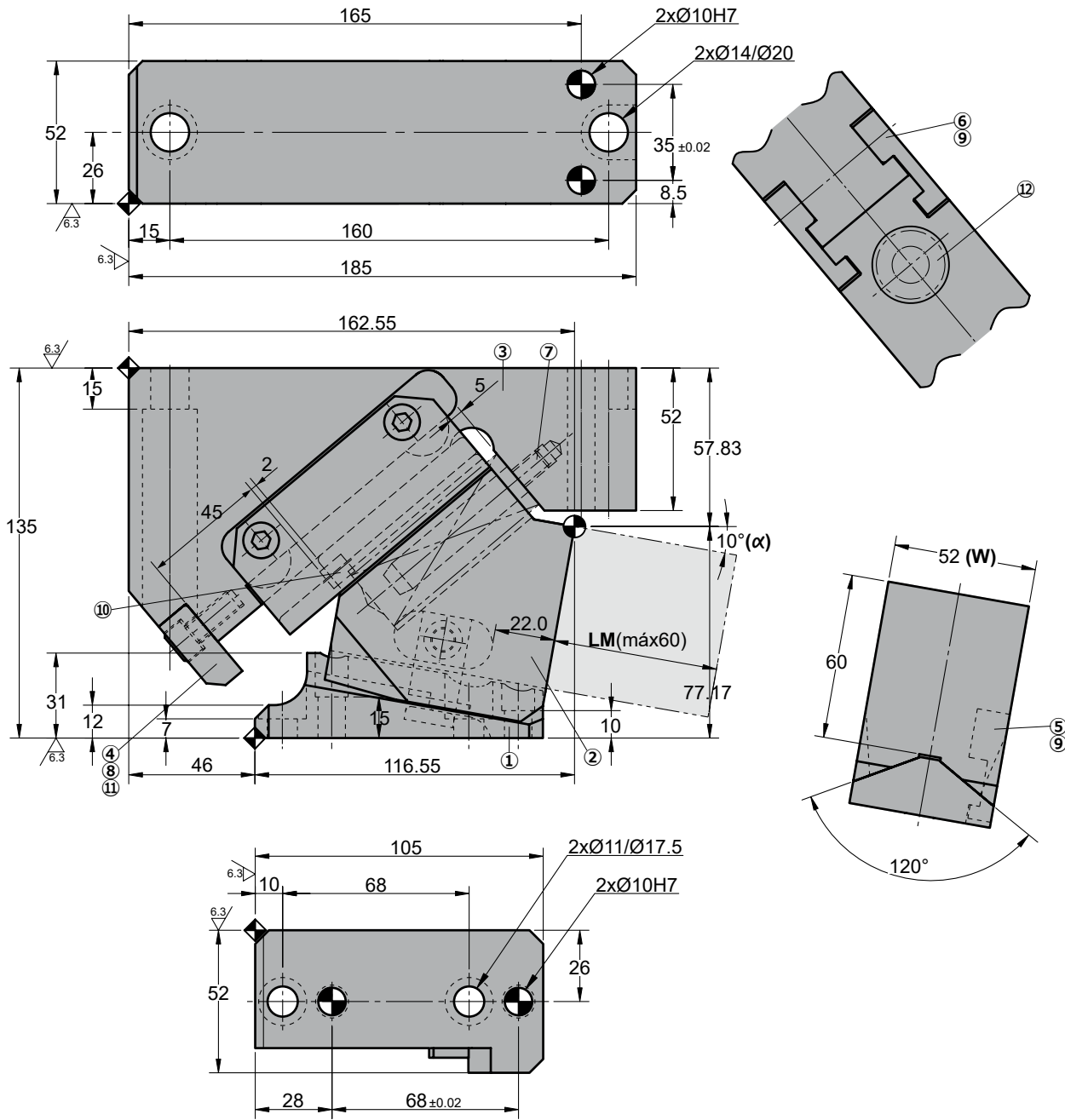


# ASDR 0052

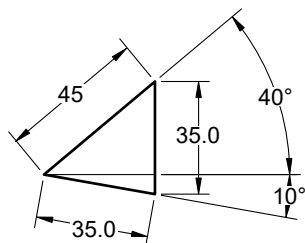
Aerial cam for pierce



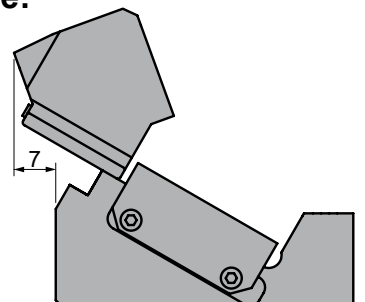
## ASDR 0052 10



◦Cam diagram:



◦Disassembling space:







# ASDR 0052

Aerial cam for pierce

Stroke (mm)	Working force kN - (tons)		Spring Force N - (kgf)		Weight (Kg)	Model	W (mm)	$\alpha$ (mm)
	(1 Million Strokes)	(300.000 Strokes)	Initial F <sub>0</sub>	Final F <sub>1</sub>				
35.0	14.7 (1.5)	29.4 (3.0)	19.6 (2.0)	901.6 (91.9)	6.0	<b>ASDR</b>	<b>0052</b>	<b>10</b>



Order: Model (W) ( $\alpha$ )  
**ASDR 0052 10**

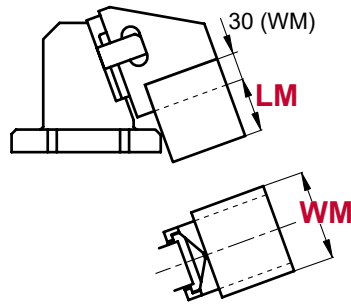
Standard order example according to catalog sheet. Add options applying options table contents.

## OPTIONS

### LM - WM MOUNT

**LM** Extensible slider mount from 1 to 60 mm (increments of 1 mm). e.g. LM50

**WM** Mount width changed to 65m. e.g. WM65



### Order Options: Model (W) ( $\alpha$ )-Option



**ASDR 0052 10-LM35**  
**ASDR 0052 10-WM**  
**ASDR 0052 10-LM35-WM**



### SPARE PARTS:

⑫ Coil Spring

## COMPONENTS

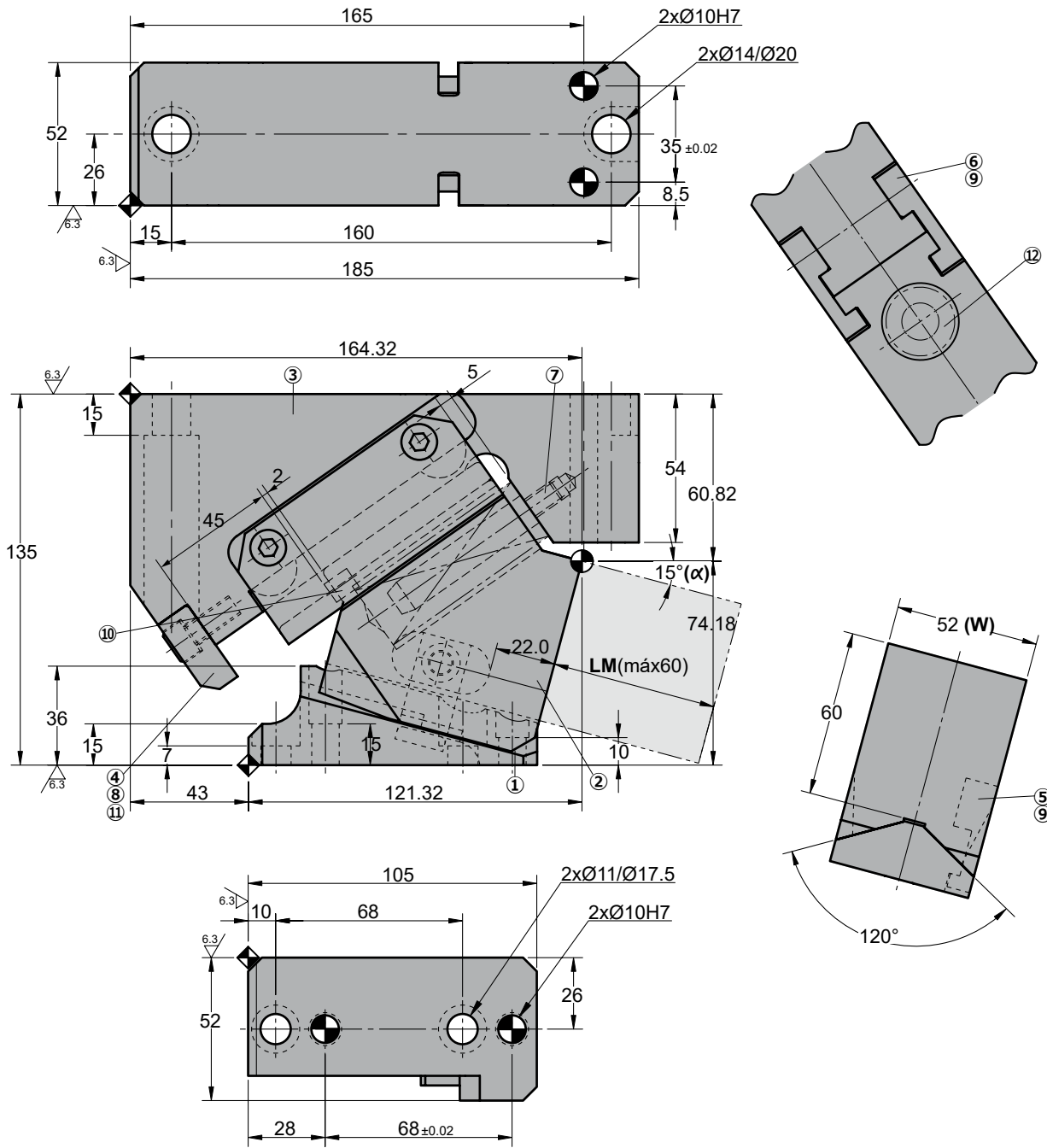
No.	Description	Qty.	Material
①	Cam Driver	1	GGG50
②	Cam Slider	1	GGG50 + G
③	Cam Holder	1	GGG50
④	Stopper Plate	1	CK45
⑤	Positive Return	1	CK45
⑥	Positive Return	2	CK45 + G
⑦	Spring Guide Pin	1	CK45
⑧	Screw	2	M8 x 20
⑨	Screw	5	M8 x 15
⑩	Stopper	2	Urethane
⑪	Washer	2	M8
⑫	Coil Spring	1	TJL25-115

# ASDR 0052

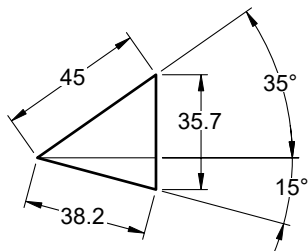
Aerial cam for pierce



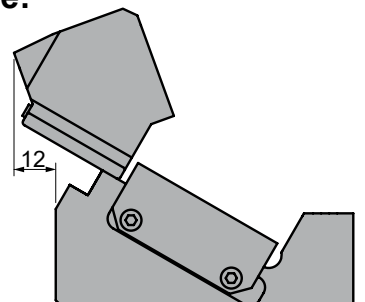
## ASDR 0052 15



◦Cam diagram:



◦Disassembling space:





# ASDR 0052

Aerial cam for pierce

Stroke (mm)	Working force kN - (tons)		Spring Force N - (kgf)		Weight (Kg)	Model	W (mm)	$\alpha$ (mm)
	(1 Million Strokes)	(300.000 Strokes)	Initial F <sub>0</sub>	Final F <sub>1</sub>				
38.2	14.7 (1.5)	29.4 (3.0)	19.6 (2.0)	901.6 (91.9)	5.8	<b>ASDR</b>	<b>0052</b>	<b>15</b>



Order: Model (W) ( $\alpha$ )  
**ASDR 0052 15**

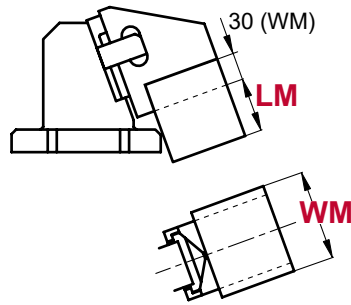
Standard order example according to catalog sheet. Add options applying options table contents.

## OPTIONS

### LM - WM MOUNT

**LM** Extensible slider mount from 1 to 60 mm (increments of 1 mm). e.g. LM50

**WM** Mount width changed to 65m. e.g. WM65



### Order Options: Model (W) ( $\alpha$ )-Option



**ASDR 0052 15-LM35**

**ASDR 0052 15-WM**

**ASDR 0052 15-LM35-WM**



### SPARE PARTS:

⑫ Coil Spring

## COMPONENTS

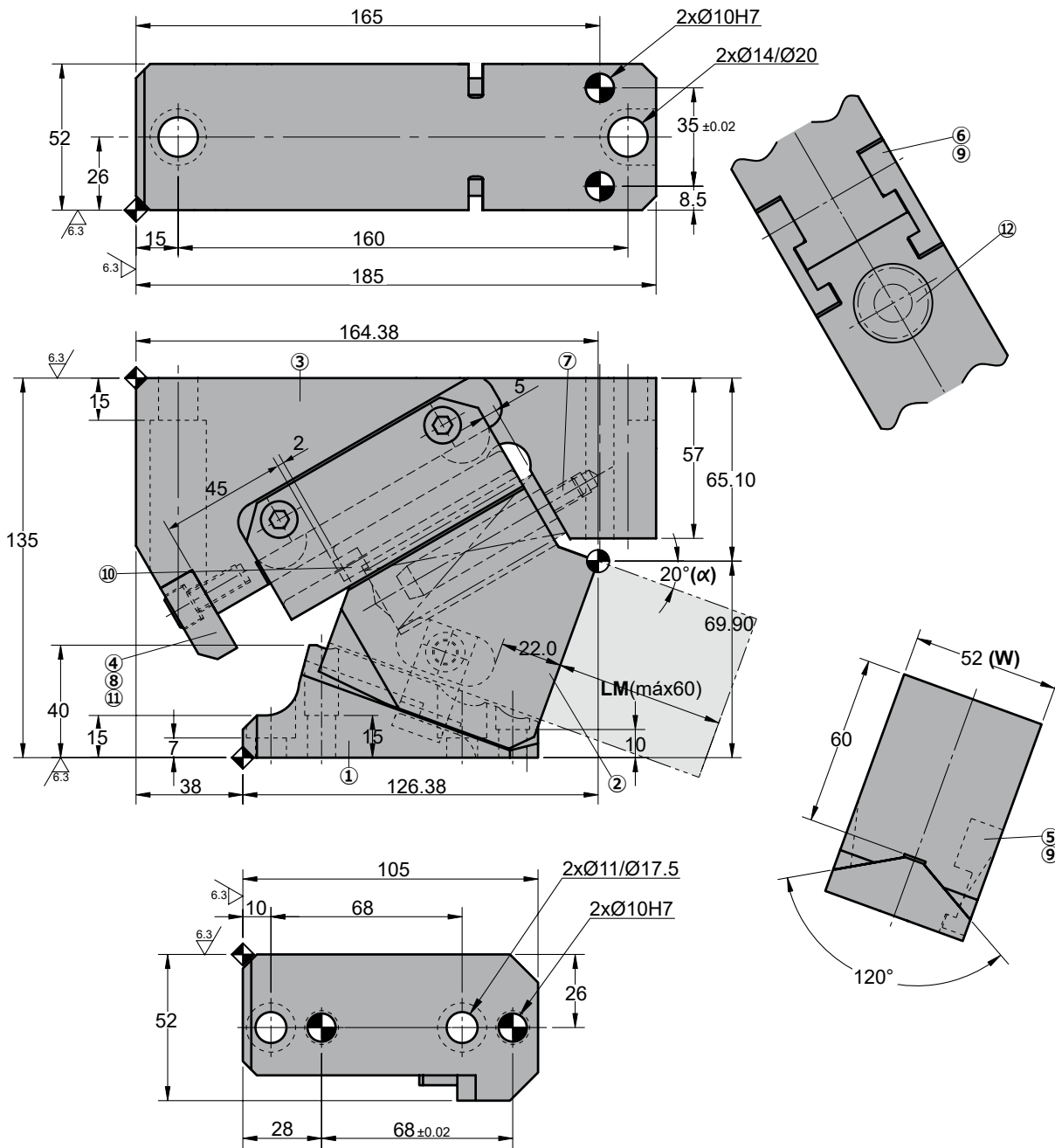
No.	Description	Qty.	Material
①	Cam Driver	1	GGG50
②	Cam Slider	1	GGG50 + G
③	Cam Holder	1	GGG50
④	Stopper Plate	1	CK45
⑤	Positive Return	1	CK45
⑥	Positive Return	2	CK45 + G
⑦	Spring Guide Pin	1	CK45
⑧	Screw	2	M8 x 20
⑨	Screw	5	M8 x 15
⑩	Stopper	2	Urethane
⑪	Washer	2	M8
⑫	Coil Spring	1	TJL25-115

# ASDR 0052

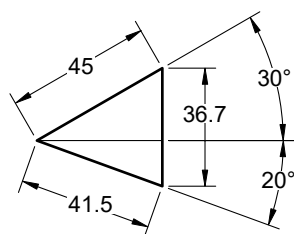
Aerial cam for pierce



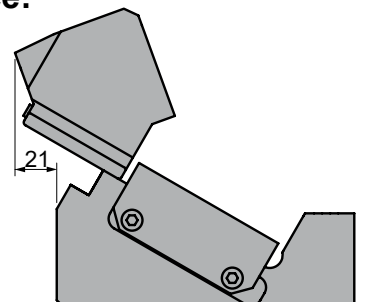
## ASDR 0052 20



◦Cam diagram:



◦Disassembling space:





# ASDR 0052

Aerial cam for pierce

Stroke (mm)	Working force kN - (tons)		Spring Force N - (kgf)		Weight (Kg)	Model	W (mm)	$\alpha$ (mm)
	(1 Million Strokes)	(300.000 Strokes)	Initial F <sub>0</sub>	Final F <sub>1</sub>				
41.5	14.7 (1.5)	29.4 (3.0)	19.6 (2.0)	901.6 (91.9)	5.7	<b>ASDR</b>	<b>0052</b>	<b>20</b>



Order: Model (W) ( $\alpha$ )  
**ASDR 0052 20**

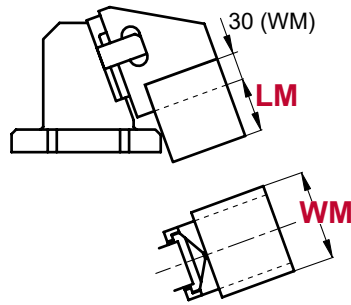
Standard order example according to catalog sheet. Add options applying options table contents.

## OPTIONS

### LM - WM MOUNT

**LM** Extensible slider mount from 1 to 60 mm (increments of 1 mm). e.g. LM50

**WM** Mount width changed to 65m. e.g. WM65



### Order Options: Model (W) ( $\alpha$ )-Option



**ASDR 0052 20-LM35**

**ASDR 0052 20-WM**

**ASDR 0052 20-LM35-WM**



### SPARE PARTS:

⑫ Coil Spring

## COMPONENTS

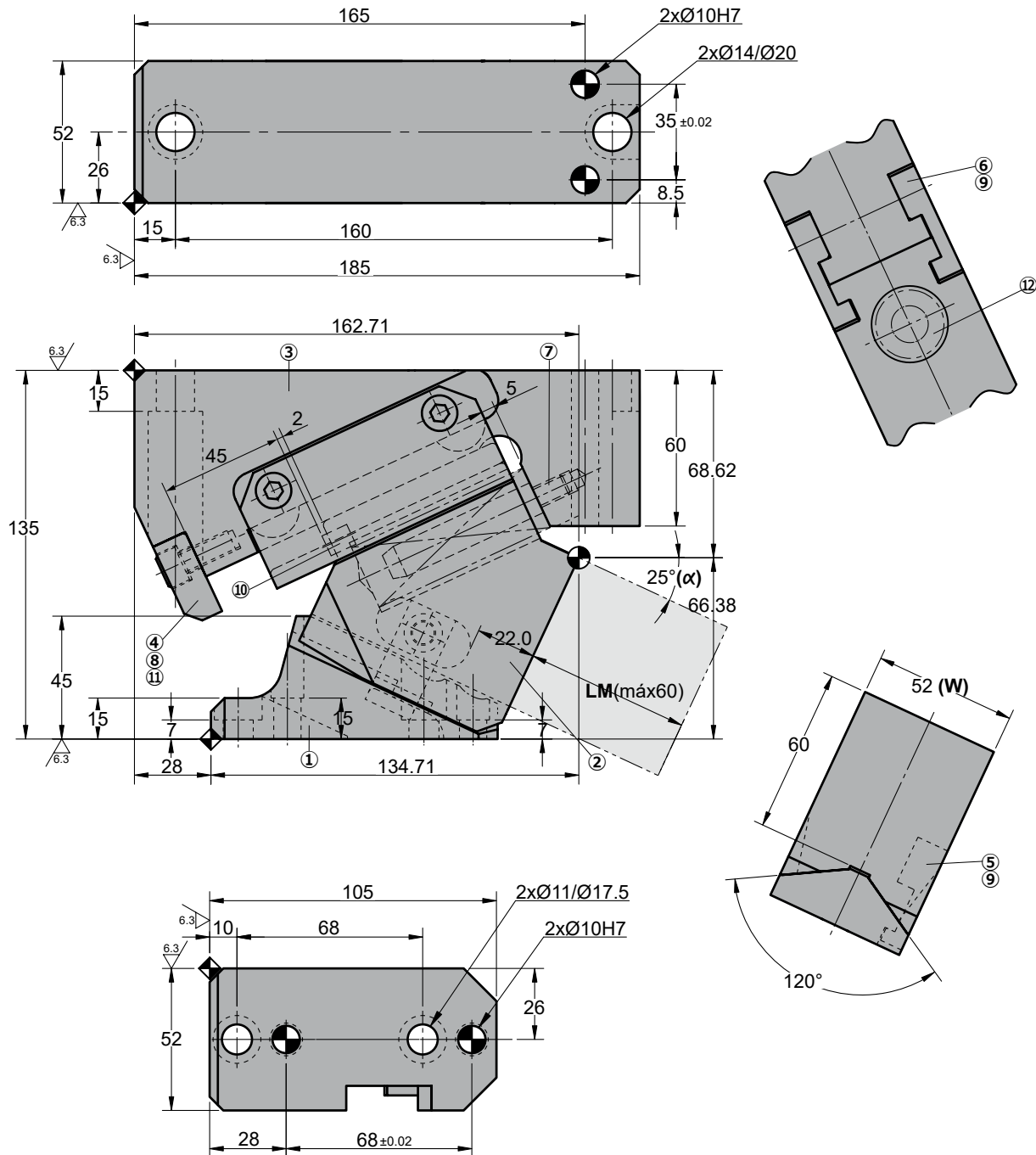
No.	Description	Qty.	Material
①	Cam Driver	1	GGG50
②	Cam Slider	1	GGG50 + G
③	Cam Holder	1	GGG50
④	Stopper Plate	1	CK45
⑤	Positive Return	1	CK45
⑥	Positive Return	2	CK45 + G
⑦	Spring Guide Pin	1	CK45
⑧	Screw	2	M8 x 20
⑨	Screw	5	M8 x 15
⑩	Stopper	2	Urethane
⑪	Washer	2	M8
⑫	Coil Spring	1	TJL25-115

# ASDR 0052

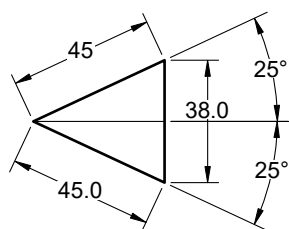
Aerial cam for pierce



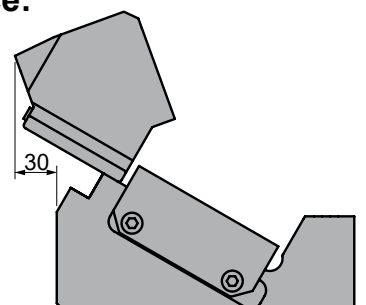
## ASDR 0052 25



◦Cam diagram:



◦Disassembling space:





# ASDR 0052

Aerial cam for pierce

Stroke (mm)	Working force kN - (tons)		Spring Force N - (kgf)		Weight (Kg)	Model	W (mm)	$\alpha$ (mm)
	(1 Million Strokes)	(300.000 Strokes)	Initial F <sub>0</sub>	Final F <sub>1</sub>				
45.0	14.7 (1.5)	29.4 (3.0)	19.6 (2.0)	901.6 (91.9)	5.5	<b>ASDR</b>	<b>0052</b>	<b>25</b>



Order: **Model (W) ( $\alpha$ )**  
**ASDR 0052 25**

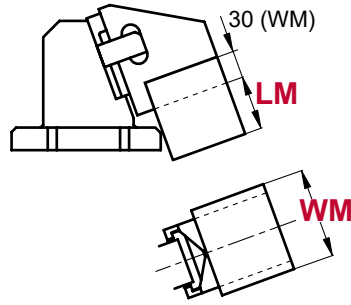
Standard order example according to catalog sheet. Add options applying options table contents.

## OPTIONS

### LM - WM MOUNT

**LM** Extensible slider mount from 1 to 60 mm (increments of 1 mm). e.g. LM50

**WM** Mount width changed to 65m. e.g. WM65



### Order Options: Model (W) ( $\alpha$ )-Option



**ASDR 0052 25-LM35**

**ASDR 0052 25-WM**

**ASDR 0052 25-LM35-WM**



### SPARE PARTS:

⑫ Coil Spring

## COMPONENTS

No.	Description	Qty.	Material
①	Cam Driver	1	GGG50
②	Cam Slider	1	GGG50 + G
③	Cam Holder	1	GGG50
④	Stopper Plate	1	CK45
⑤	Positive Return	1	CK45
⑥	Positive Return	2	CK45 + G
⑦	Spring Guide Pin	1	CK45
⑧	Screw	2	M8 x 20
⑨	Screw	5	M8 x 15
⑩	Stopper	2	Urethane
⑪	Washer	2	M8
⑫	Coil Spring	1	TJL25-115

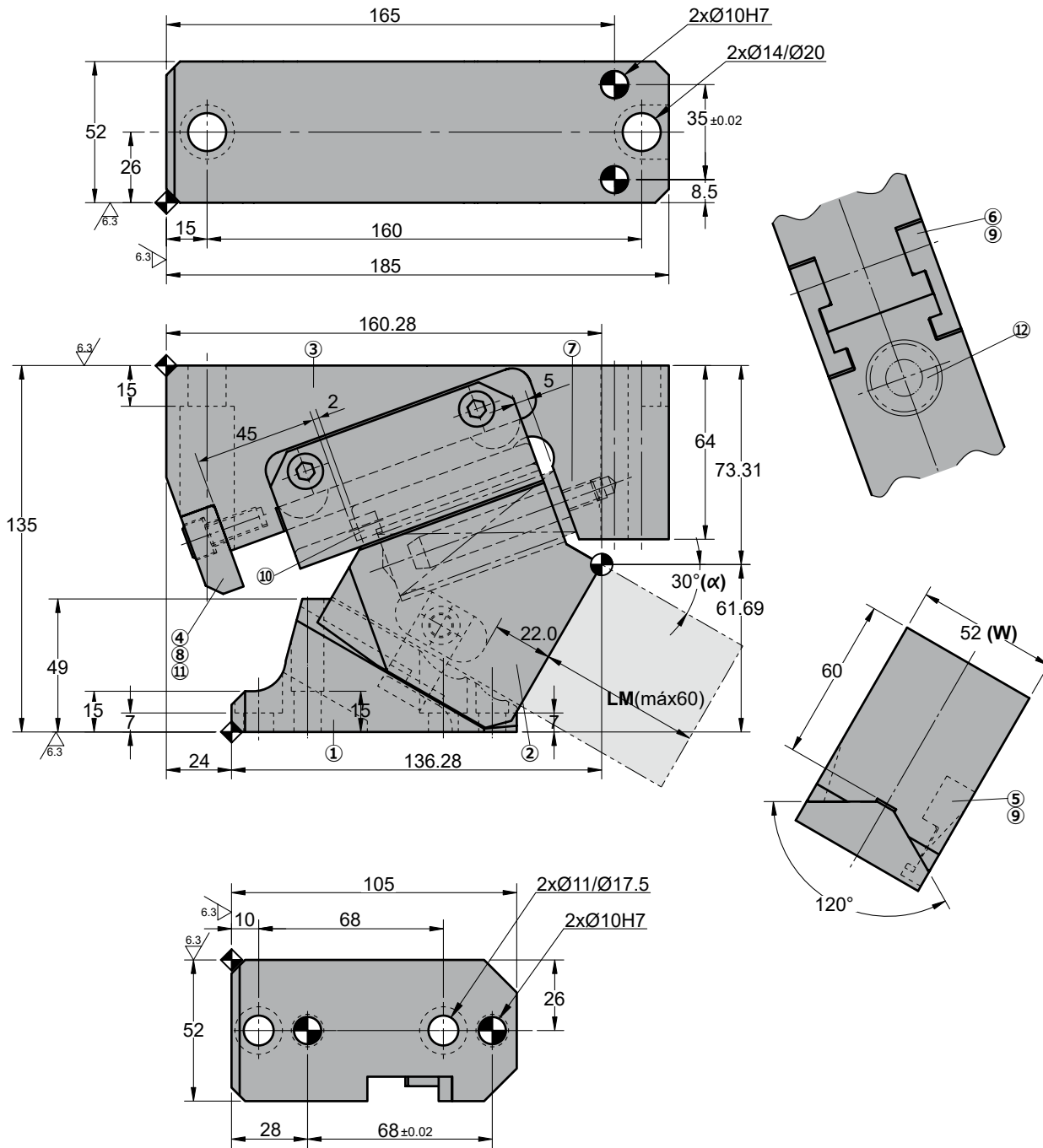


# ASDR 0052

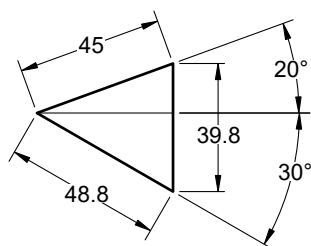
Aerial cam for pierce



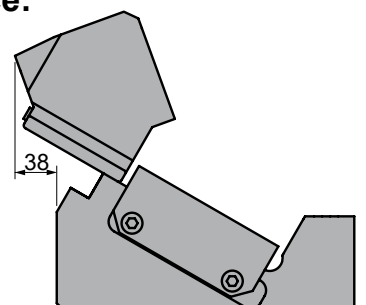
## ASDR 0052 30



◦Cam diagram:



◦Disassembling space:





# ASDR 0052

Aerial cam for pierce

Stroke (mm)	Working force kN - (tons)		Spring Force N - (kgf)		Weight (Kg)	Model	W (mm)	$\alpha$ (mm)
	(1 Million Strokes)	(300.000 Strokes)	Initial F <sub>0</sub>	Final F <sub>1</sub>				
48.8	14.7 (1.5)	29.4 (3.0)	19.6 (2.0)	901.6 (91.9)	5.5	<b>ASDR</b>	<b>0052</b>	<b>30</b>



Order: **Model (W) ( $\alpha$ )**  
**ASDR 0052 30**

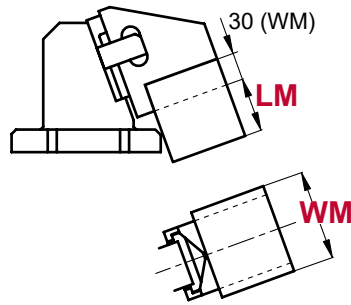
Standard order example according to catalog sheet. Add options applying options table contents.

## OPTIONS

### LM - WM MOUNT

**LM** Extensible slider mount from 1 to 60 mm (increments of 1 mm). e.g. LM50

**WM** Mount width changed to 65m. e.g. WM65



### Order Options: Model (W) ( $\alpha$ )-Option



**ASDR 0052 30-LM35**  
**ASDR 0052 30-WM**  
**ASDR 0052 30-LM35-WM**



### SPARE PARTS:

⑫ Coil Spring

## COMPONENTS

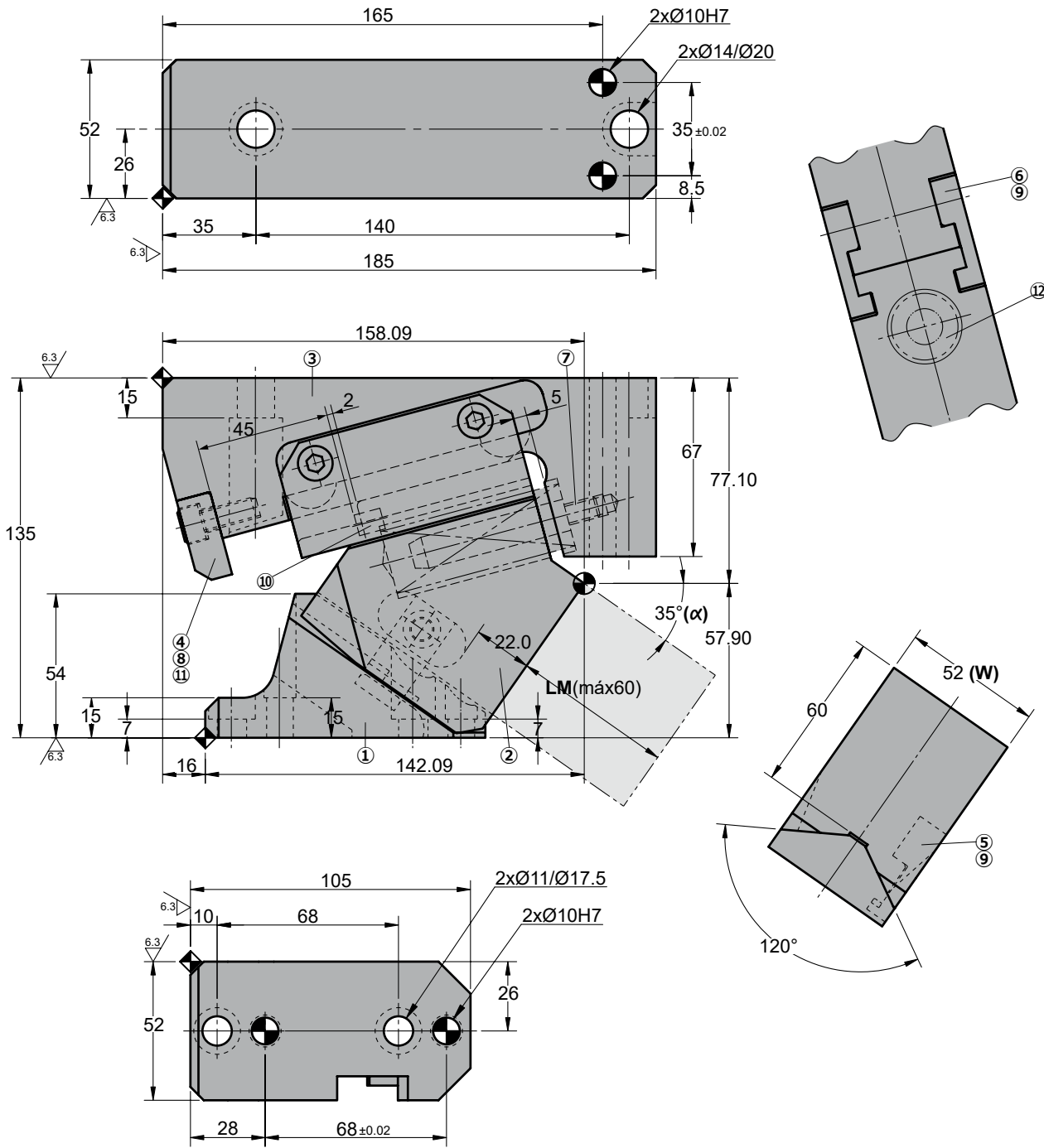
No.	Description	Qty.	Material
①	Cam Driver	1	GGG50
②	Cam Slider	1	GGG50 + G
③	Cam Holder	1	GGG50
④	Stopper Plate	1	CK45
⑤	Positive Return	1	CK45
⑥	Positive Return	2	CK45 + G
⑦	Spring Guide Pin	1	CK45
⑧	Screw	2	M8 x 20
⑨	Screw	5	M8 x 15
⑩	Stopper	2	Urethane
⑪	Washer	2	M8
⑫	Coil Spring	1	TJL25-115

# ASDR 0052

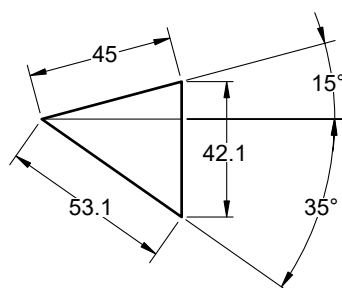
Aerial cam for pierce



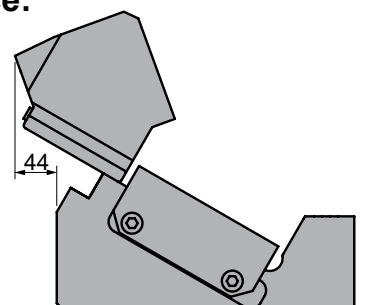
## ASDR 0052 35



◦Cam diagram:



◦Disassembling space:





# ASDR 0052

Aerial cam for pierce

Stroke (mm)	Working force kN - (tons)		Spring Force N - (kgf)		Weight (Kg)	Model	W (mm)	$\alpha$ (mm)
	(1 Million Strokes)	(300.000 Strokes)	Initial F <sub>0</sub>	Final F <sub>1</sub>				
53.1	14.7 (1.5)	29.4 (3.0)	19.6 (2.0)	901.6 (91.9)	5.4	<b>ASDR</b>	<b>0052</b>	<b>35</b>



Order: Model (W) ( $\alpha$ )  
**ASDR 0052 35**

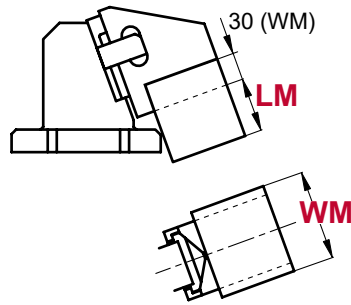
Standard order example according to catalog sheet. Add options applying options table contents.

## OPTIONS

### LM - WM MOUNT

**LM** Extensible slider mount from 1 to 60 mm (increments of 1 mm). e.g. LM50

**WM** Mount width changed to 65m. e.g. WM65



### Order Options: Model (W) ( $\alpha$ )-Option



**ASDR 0052 35-LM35**

**ASDR 0052 35-WM**

**ASDR 0052 35-LM35-WM**



### SPARE PARTS:

⑫ Coil Spring

## COMPONENTS

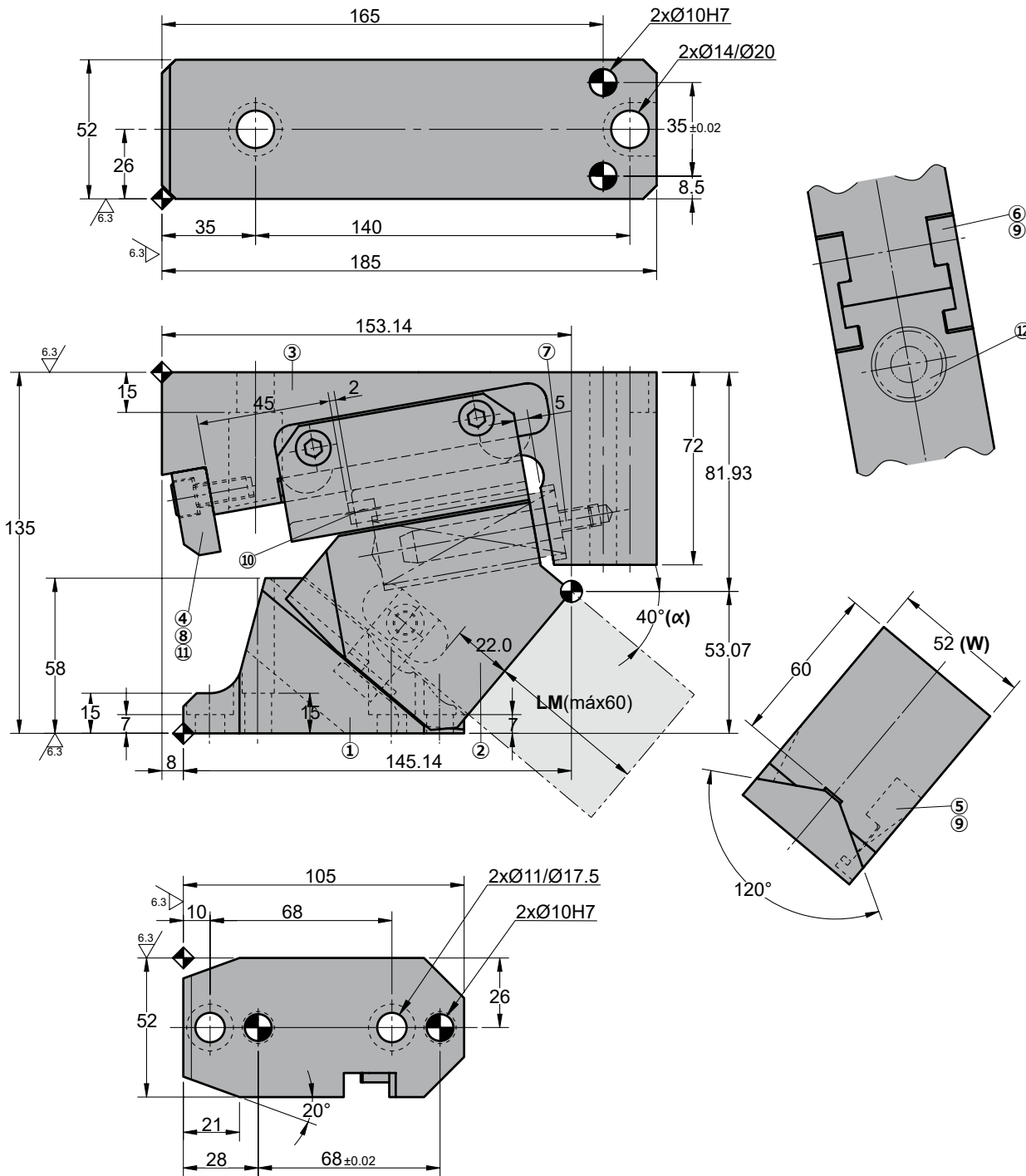
No.	Description	Qty.	Material
①	Cam Driver	1	GGG50
②	Cam Slider	1	GGG50 + G
③	Cam Holder	1	GGG50
④	Stopper Plate	1	CK45
⑤	Positive Return	1	CK45
⑥	Positive Return	2	CK45 + G
⑦	Spring Guide Pin	1	CK45
⑧	Screw	2	M8 x 20
⑨	Screw	5	M8 x 15
⑩	Stopper	2	Urethane
⑪	Washer	2	M8
⑫	Coil Spring	1	TJL25-115

# ASDR 0052

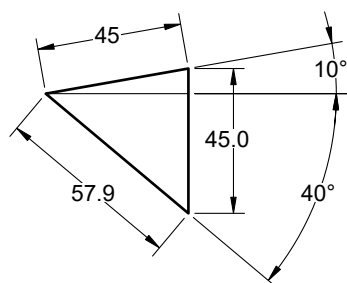
Aerial cam for pierce



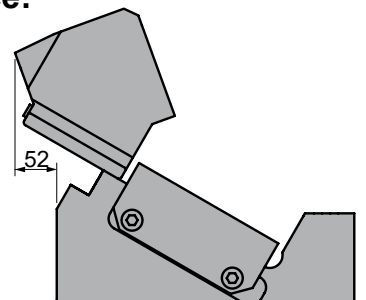
## ASDR 0052 40



◦Cam diagram:



◦Disassembling space:





# ASDR 0052

Aerial cam for pierce

Stroke (mm)	Working force kN - (tons)		Spring Force N - (kgf)		Weight (Kg)	Model	W (mm)	$\alpha$ (mm)
	(1 Million Strokes)	(300.000 Strokes)	Initial F <sub>0</sub>	Final F <sub>1</sub>				
57.9	14.7 (1.5)	29.4 (3.0)	19.6 (2.0)	901.6 (91.9)	5.5	<b>ASDR</b>	<b>0052</b>	<b>40</b>



Order: Model (W) ( $\alpha$ )  
**ASDR 0052 40**

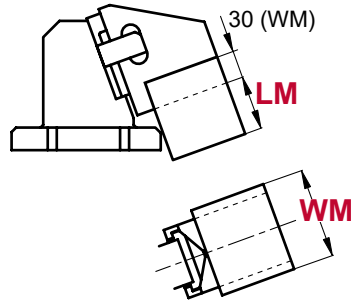
Standard order example according to catalog sheet. Add options applying options table contents.

## OPTIONS

### LM - WM MOUNT

**LM** Extensible slider mount from 1 to 60 mm (increments of 1 mm). e.g. LM50

**WM** Mount width changed to 65m. e.g. WM65



### Order Options: Model (W) ( $\alpha$ )-Option



**ASDR 0052 40-LM35**

**ASDR 0052 40-WM**

**ASDR 0052 40-LM35-WM**



### SPARE PARTS:

⑫ Coil Spring

## COMPONENTS

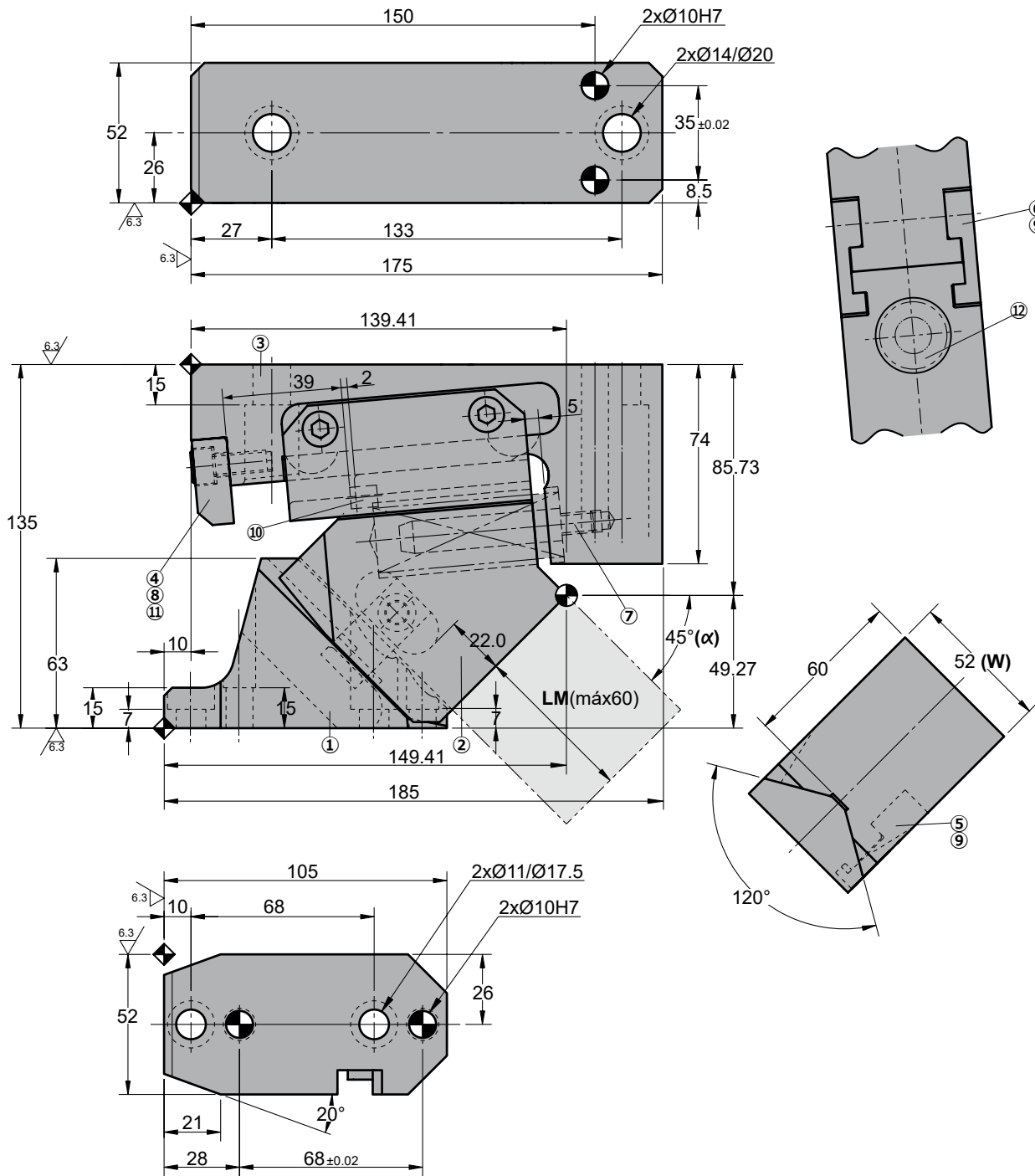
No.	Description	Qty.	Material
①	Cam Driver	1	GGG50
②	Cam Slider	1	GGG50 + G
③	Cam Holder	1	GGG50
④	Stopper Plate	1	CK45
⑤	Positive Return	1	CK45
⑥	Positive Return	2	CK45 + G
⑦	Spring Guide Pin	1	CK45
⑧	Screw	2	M8 x 20
⑨	Screw	5	M8 x 15
⑩	Stopper	2	Urethane
⑪	Washer	2	M8
⑫	Coil Spring	1	TJL25-115

# ASDR 0052

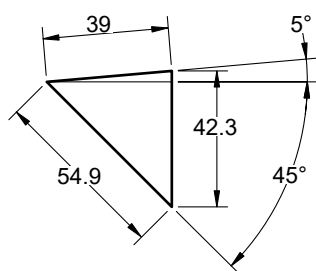
Aerial cam for pierce



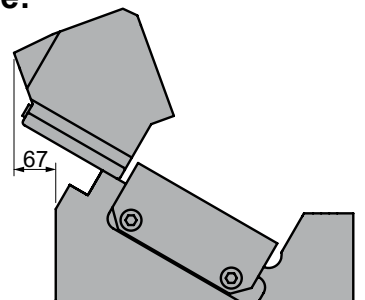
## ASDR 0052 45



◦Cam diagram:



◦Disassembling space:







# ASDR 0052

Aerial cam for pierce

Stroke (mm)	Working force kN - (tons)		Spring Force N - (kgf)		Weight (Kg)	Model	W (mm)	$\alpha$ (mm)
	(1 Million Strokes)	(300.000 Strokes)	Initial F <sub>0</sub>	Final F <sub>1</sub>				
54.9	14.7 (1.5)	29.4 (3.0)	137.2 (14.0)	901.6 (91.9)	5.3	<b>ASDR</b>	<b>0052</b>	<b>45</b>



Order: Model (W) ( $\alpha$ )  
**ASDR 0052 45**

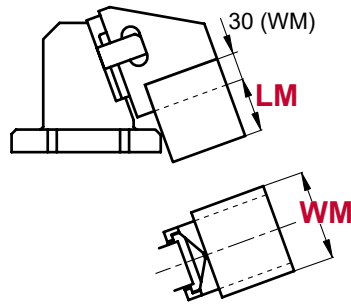
Standard order example according to catalog sheet. Add options applying options table contents.

## OPTIONS

### LM - WM MOUNT

**LM** Extensible slider mount from 1 to 60 mm (increments of 1 mm). e.g. LM50

**WM** Mount width changed to 65m. e.g. WM65



### Order Options: Model (W) ( $\alpha$ )-Option



**ASDR 0052 45-LM35**

**ASDR 0052 45-WM**

**ASDR 0052 45-LM35-WM**



### SPARE PARTS:

⑫ Coil Spring

## COMPONENTS

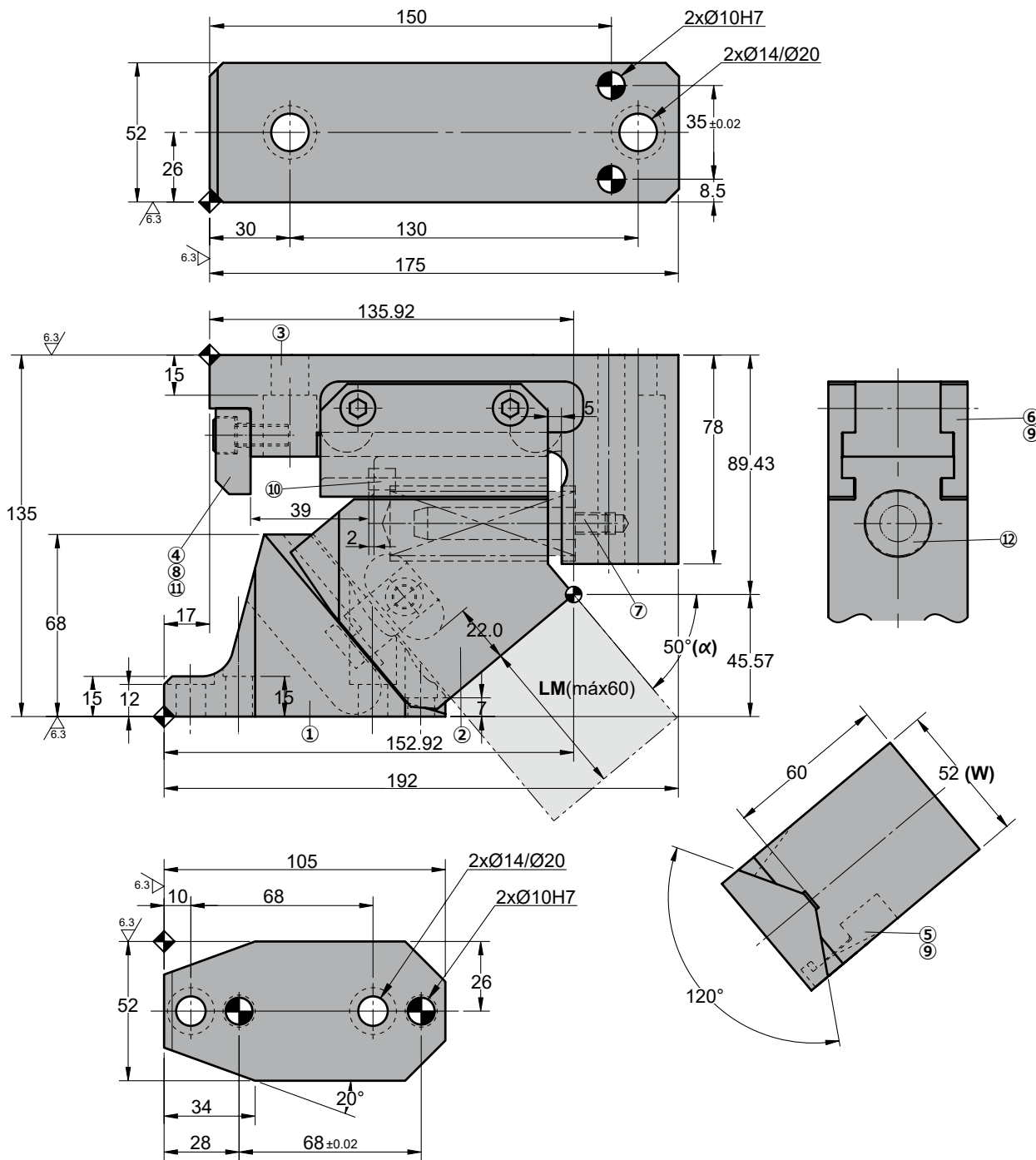
No.	Description	Qty.	Material
①	Cam Driver	1	GGG50
②	Cam Slider	1	GGG50 + G
③	Cam Holder	1	GGG50
④	Stopper Plate	1	CK45
⑤	Positive Return	1	CK45
⑥	Positive Return	2	CK45 + G
⑦	Spring Guide Pin	1	CK45
⑧	Screw	2	M8 x 20
⑨	Screw	5	M8 x 15
⑩	Stopper	2	Urethane
⑪	Washer	2	M8
⑫	Coil Spring	1	TJL25-115

# ASDR 0052

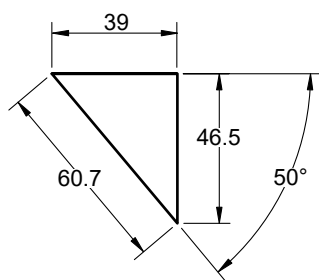
Aerial cam for pierce



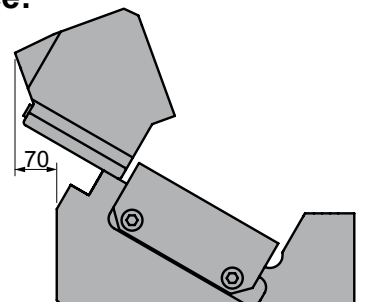
## ASDR 0052 50



◦Cam diagram:



◦Disassembling space:





# ASDR 0052

Aerial cam for pierce

Stroke (mm)	Working force kN - (tons)		Spring Force N - (kgf)		Weight (Kg)	Model	W (mm)	$\alpha$ (mm)
	(1 Million Strokes)	(300.000 Strokes)	Initial F <sub>0</sub>	Final F <sub>1</sub>				
60.7	14.7 (1.5)	29.4 (3.0)	137.2 (14.0)	901.6 (91.9)	5.4	<b>ASDR</b>	<b>0052</b>	<b>50</b>



Order: **Model (W) ( $\alpha$ )**  
**ASDR 0052 50**

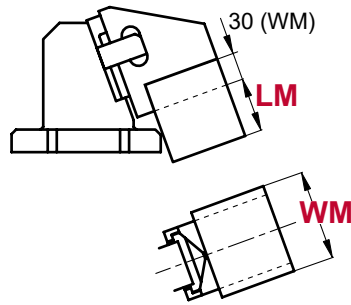
Standard order example according to catalog sheet.  
 Add options applying options table contents.

## OPTIONS

### LM - WM MOUNT

**LM** Extensible slider mount from 1 to 60 mm (increments of 1 mm). e.g. LM50

**WM** Mount width changed to 65m. e.g. WM65



### Order Options: Model (W) ( $\alpha$ )-Option



**ASDR 0052 50-LM35**

**ASDR 0052 50-WM**

**ASDR 0052 50-LM35-WM**



### SPARE PARTS:

⑫ Coil Spring

## COMPONENTS

No.	Description	Qty.	Material
①	Cam Driver	1	GGG50
②	Cam Slider	1	GGG50 + G
③	Cam Holder	1	GGG50
④	Stopper Plate	1	CK45
⑤	Positive Return	1	CK45
⑥	Positive Return	2	CK45 + G
⑦	Spring Guide Pin	1	CK45
⑧	Screw	2	M8 x 20
⑨	Screw	5	M8 x 15
⑩	Stopper	2	Urethane
⑪	Washer	2	M8
⑫	Coil Spring	1	TJL25-115

# ASDR 0052



*Aerial cam for pierce*